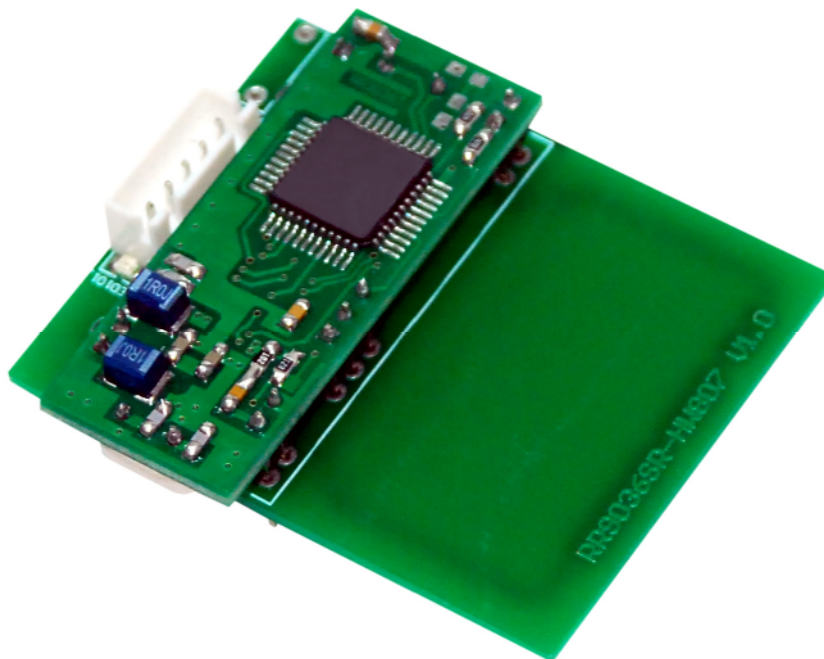


ISO/IEC15693 Protocol HF Tag R/W Module



Model: RR9036-M

Size: 48mmx19mmx18mm

Weight: 15g

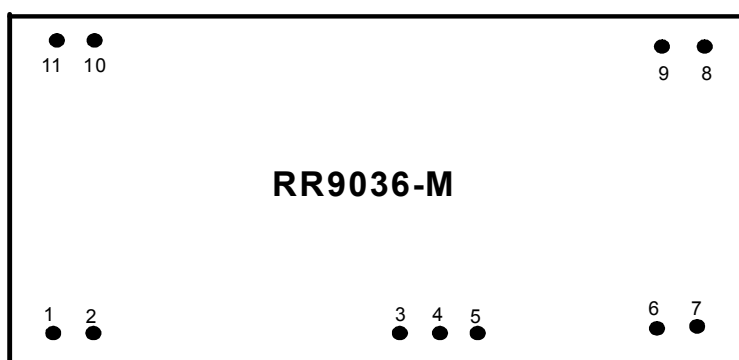
GENERAL DESCRIPTION

RR9036M is a high performance ISO15693 protocol HF tag R/W module. It is designed upon fully self-intellectual property. Based on proprietary efficient anti-collision algorithm, it supports fast tag read/write operation with high identification rate. It can be used as a key component in RFID reader products that are widely applied in logistics, personnel identification, conference attendance system, access control, anti-counterfeit and industrial production process control system.

FEATURES

- Self-intellectual property;
- Support mainstream ISO15693 protocol tag (TI, PHILIPS, ST, INFINEON, FUJITSU, EM...);
- Support standard 50ohm RFID antenna. Effective distance up to 150mm*;
- Low power dissipation with single +5V DC power supply;
- Provide DLL and demonstration software to facilitate development.

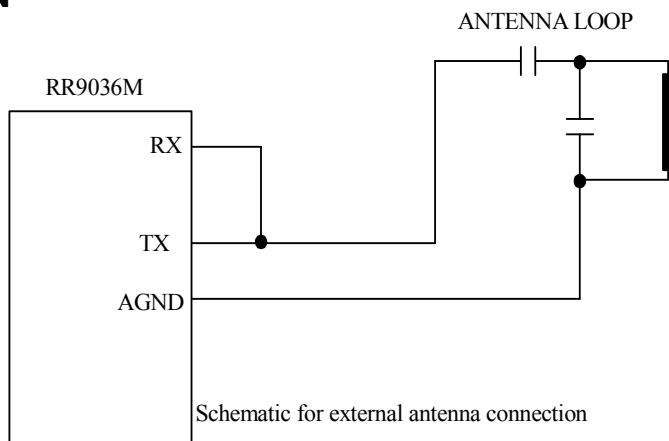
INTERFACE DESCRIPTION



Bottom view

No.	SYMBOL	COMMENT
1	RXD	Serial data input
2	TXD	Serial data output
3	NC	Reserved
4	BEEP	Buzzer driver(Internal pulled-up to VCC)
5	CTL	Output(Internal pulled-up to VCC)
6	AGND	Ground for Antenna
7	RX	RF signal input
8	TX	RF power signal output
9	NC	Reserved
10	GND	Ground
11	VCC	+5V DC

APPLICATION



CHARACTERISTICS

● Absolute Maximum Rating

ITEM	SYMBOL	VALUE	UNIT
Power Supply	VCC	6	V
Operating Temp.	T _{OPR}	-25~+60	°C
Storage Temp.	T _{STR}	-25~+80	°C

● Electrical and Mechanical Specification

Under T_A=25°C, VCC=+5V unless specified

ITEM	SYMBOL	MIN	TYP	MAX	UNIT
Power Supply	VCC	4.5	5	5.5	V
Current Dissipation	I _{C1} (RF On)		90	120	mA
	I _{C2} (RF Off)		30		
Frequency	F _{REQ}		13.56		MHz
Effective Distance*	DIS	0	110	150	mm

* Effective distance depends on antenna, tag and environment.

Remark:

1. Specifications are subject to change, please pay attention to our latest one.
2. Shenzhen RoyalRay Science and Technology Co., Ltd. reserve the right to the final interpretation of the above terms.